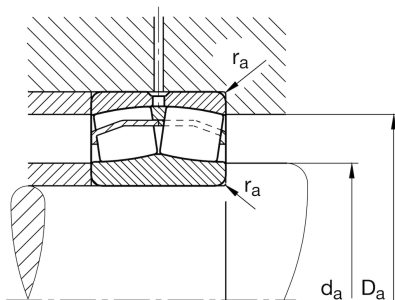
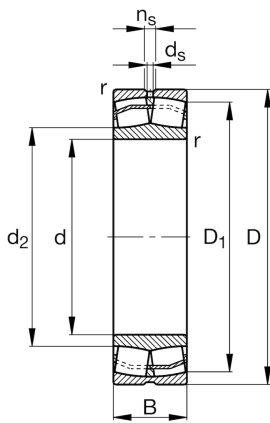


Technical information



Main Dimensions & Performance Data

d	30 mm	Bore diameter
D	62 mm	Outside diameter
B	20 mm	Width
C_r	64,000 N	Basic dynamic load rating, radial
C_{0r}	57,000 N	Basic static load rating, radial
C_{ur}	7,000 N	Fatigue load limit, radial
n_G	12,500 1/min	Limiting speed
n_{gr}	7,800 1/min	Reference speed
	0.277 kg	Weight

Dimensions

r_{min}	1 mm	Minimum chamfer dimension
D_1	53.7 mm	Bore diameter outer ring
d_2	38.1 mm	Raceway diameter of the inner ring
d_s	3.2 mm	Diameter lubrication hole
n_s	4.8 mm	Width of lubricating groove

Mounting dimensions

$d_{a min}$	35.6 mm	Minimum diameter shaft shoulder
$D_{a max}$	56.4 mm	Maximum diameter of housing shoulder
$r_{a max}$	1 mm	Maximum recess radius

Additional information

e	0.3	Limiting value of F_a/F_r for the applicability of diff. Values of factors X and Y
Y_1	2.26	Dynamic axial load factor
Y_2	3.37	Dynamic axial load factor
Y_0	2.21	Static axial load factor

Temperature range

T _{min}	-30 °C	Operating temperature min.
T _{max}	200 °C	Operating temperature max.